



eFLASHER I

Light and convenient, the ***eFLASHER I*** is ideal for every deaf computer user. Provides three (3) flashes for each computer sound or call signal received. Whether you are away from your monitor, unable to notice flashing alerts, cannot hear the speaker's sound, or your monitor is turned off (i.e. screensaver), the ***eFLASHER I*** is designed to quickly alert users to any incoming e-mails, TTY-PC, instant message (IM), IP-Relay, VRS, or videochat signal calls. Both IBM-PC and Macintosh-compatible, the ***eFLASHER I*** also intelligently screens out music or other regular system sounds.

Prices:

- \$89.95 per unit (#EFL100)
- \$8.50 shipping/handling
- Includes an "easy-to-read" instruction manual
- Compact lightweight size:
(5.75" W x 3.25" D x 2.0" H)
- Meets FCC & U.L.
- One year warranty
- Quantities over 10 units are available at discounted price
- See reverse page for ***eFLASHER I*** simplify installation

Order:

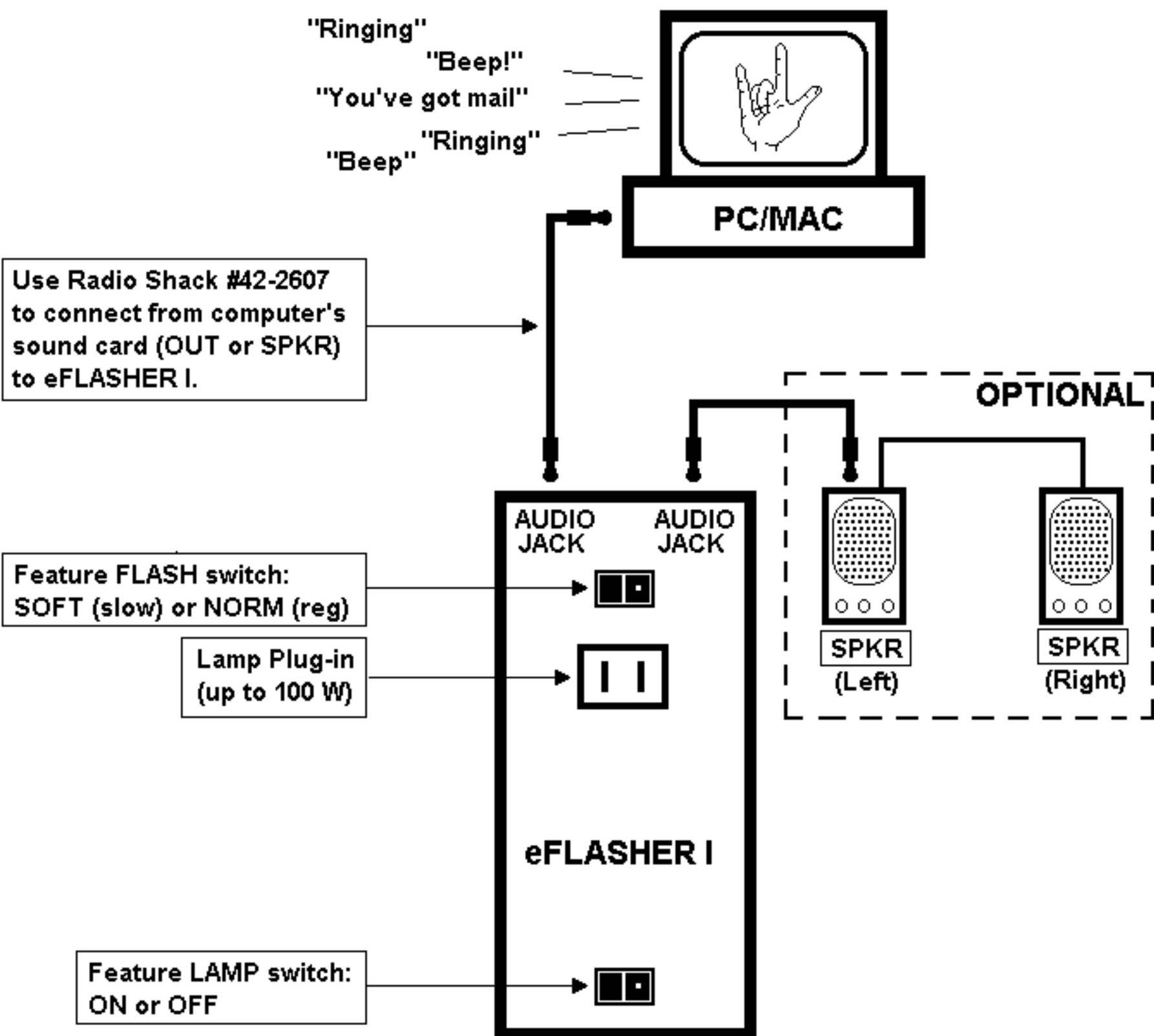
- Charge cards (Discover/ MC/VISA), Qualifying Purchase Order, Check, Money Order to:

DEAFWORKS

P.O. Box 1265
Provo, UT 84603-1265

TTY: (801) 465-1957
FAX: (801) 465-1958
eflasher@deafworks.com
www.deafworks.com

Basic eFLASHER I Installation



NOTE: eFLASHER I provides three (3) flashes for each computer sound or call signal received. Must use a special .WAV file to operate it which it can be download from manufacturer's website:
<http://www.deafworks.com/eFLASHER/download.html>

The DEAFWORKS Co.
P.O. Box 1265
Provo, UT 84603-1265
TTY: (801) 465-1957
FAX: (801) 465-1958
eflasher@deafworks.com